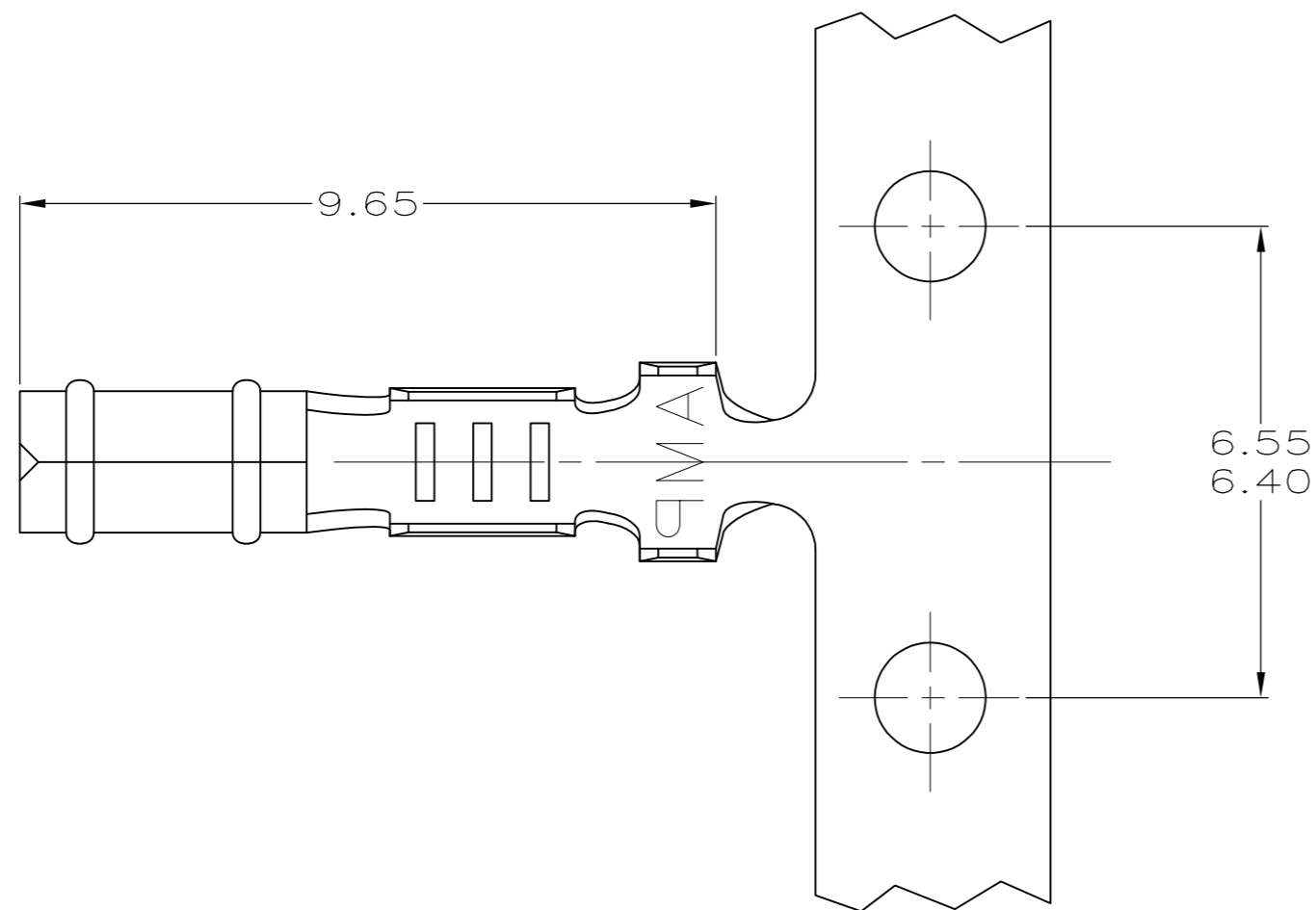


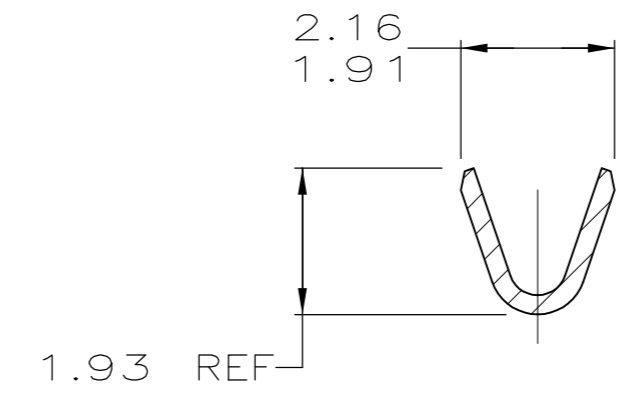
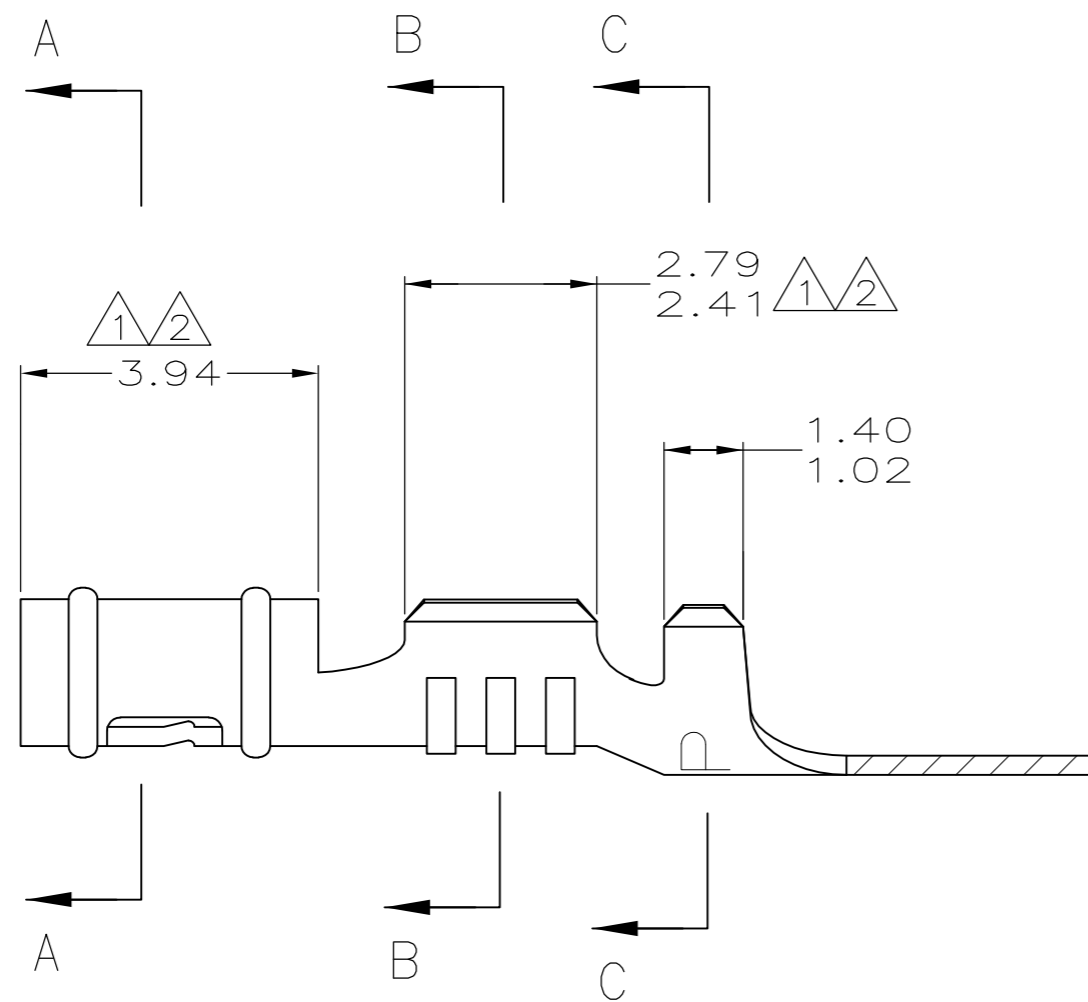
THIS DRAWING IS UNPUBLISHED. RELEASED FOR PUBLICATION  
 © COPYRIGHT - By - ALL RIGHTS RESERVED.

LOC	DIST	REVISIONS					
		P	LTR	DESCRIPTION	DATE	DWN	APVD
CM	52		AH1	REVISED PER ECO-11-004917	11MAR11	RK	HMR

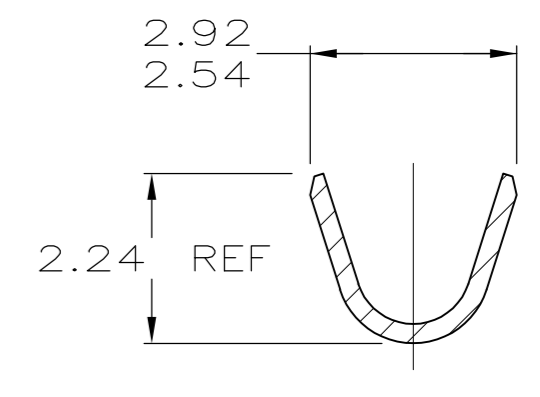
- ① 0.00038 MIN SELECTIVE GOLD PLATING ON INSIDE OF RECEPTACLE AND WIRE BARREL OVER NICKEL OVER ALL UNDERPLATE.
- ② 0.00076 MIN SELECTIVE GOLD PLATING ON INSIDE OF RECEPTACLE AND WIRE BARREL OVER NICKEL OVER ALL UNDERPLATE.
- 3. WIRE RANGE: 0.2 - 0.6 MM<sup>2</sup> (24 - 20 AWG)
- 4. INSULATION RANGE: 1.14 - 1.78
- ⑤ REVERSED REELED.



SECTION A-A



SECTION B-B

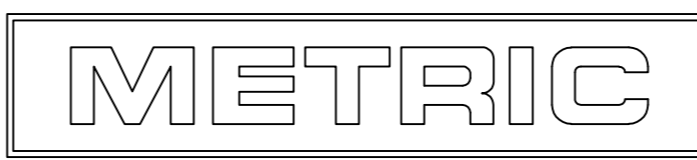


SECTION C-C

⑤	①	0.25 BE CU	60598-9	
⑤	①	0.25 BE CU	60598-8	
⑤	②	0.25 PH BRZ	60598-7	
⑤	②	0.25 PH BRZ	60598-5	
		MATTE TIN	0.25 BE CU	60598-4
		PRE-TIN	0.25 PH BRZ	60598-3
⑤		MATTE TIN	0.25 BE CU	60598-2
⑤		PRE-TIN	0.25 PH BRZ	60598-1
		FINISH	MATERIAL	PART NUMBER

MM	IN	MM	IN	MM	IN	MM	IN
1.14	.045	1.91	.075	2.79	.110	-	-
1.02	.040	1.78	.070	2.54	.100	9.65	.380
0.25	.010	1.486	.0585	2.41	.095	6.55	.258
0.13	.005	1.47	.058	2.24	.088	6.40	.252
0.00076	.000030	1.40	.055	2.16	.085	3.94	.155
0.00038	.000015	1.359	.0535	1.93	.076	2.92	.115
MM	IN	MM	IN	MM	IN	MM	IN

CONVERSION TABLE



THIS DRAWING IS A CONTROLLED DOCUMENT.

DWN	T. BECK	5-08-97	
CHK	R. SWING	5-08-97	
APVD	A. BEDDICK	8-22-97	
PRODUCT SPEC	108-1025		
MATERIAL	SEE TABLE		NAME RECEPTACLE, .058 DIAMETER, 24-20 AWG, .045-.070 INSULATION, P.C. CONTACT
DIMENSIONS:	mm	TOLERANCES UNLESS OTHERWISE SPECIFIED:	SIZE A2
		0 PLC ± -	CAGE CODE 00779
		1 PLC ± -	DRAWING NO C-60598
		2 PLC ± 0.13	SHEET 1 OF 1
		3 PLC ± -	REV AH1
		4 PLC ± -	
		ANGLES ± -	
		FINISH	
		SEE TABLE	
CUSTOMER DRAWING			SCALE 10:1